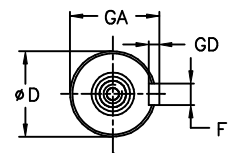
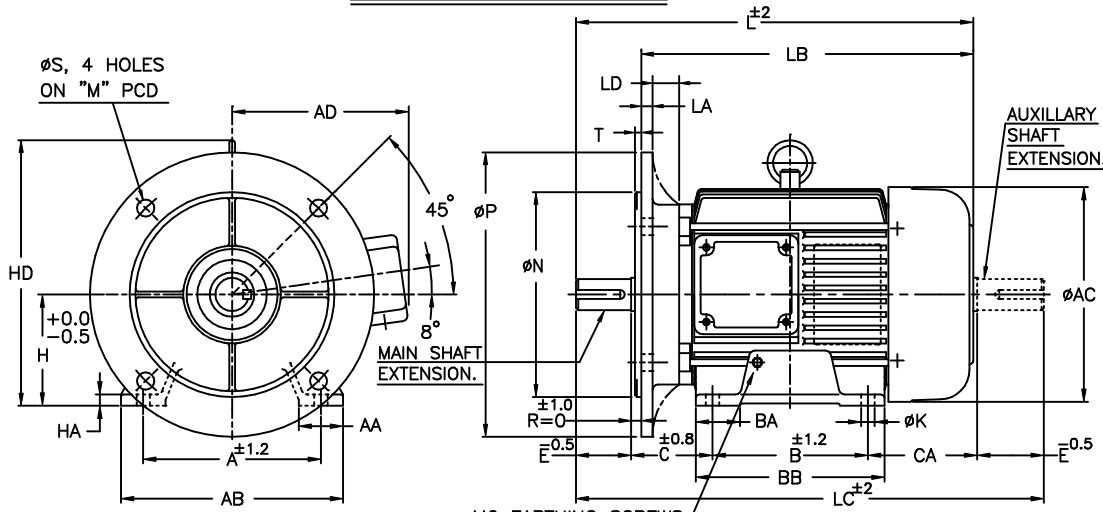


UNMENTIONED TOLERANCES
 LINEAR ABOVE 0 6 315 1000
 DIMENSIONS (SUPTO 6 315 1000 2000
 (MACHINED) TOL. ±0.2 ±0.5 ±0.8 ±1.2
 ANGLES ± 1/2°

ALL INFORMATION CONTAINED IN THIS DOCUMENT IS CONFIDENTIAL AND THE PROPERTY OF KIRLOSKAR ELECTRIC CO.LTD. REPRODUCING OF THESE IN ANY FORM IS TO BE DONE WITH THE SPECIFIC PERMISSION OF THE COMPANY.

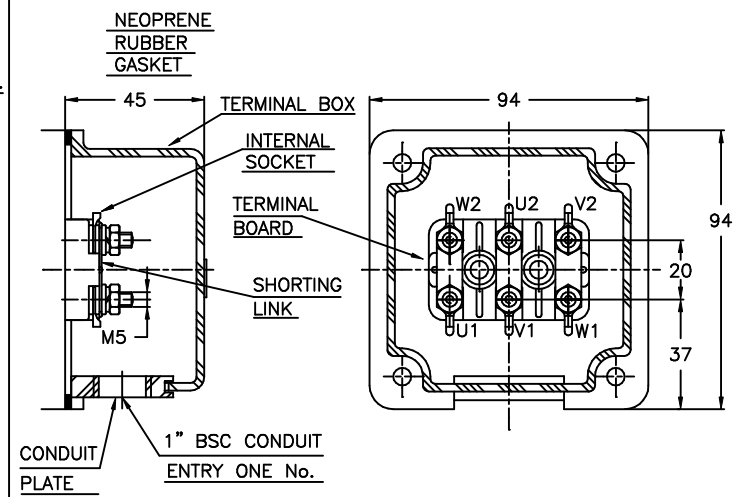
DIMENSIONAL DRAWING



DETAILS OF MAIN & AUXILIARY SHAFT EXTENSION

- NOTE :**
1. DIMENSIONS ARE AS PER IS:1231 & 2223
 2. DEGREE OF PROTECTION: IP:55.
 3. TOLERANCE ON 'D' : k6. TOLERANCE ON 'N' : j6.
 4. PROTECTED CENTRE HOLE AT SHAFT EXTENSION AS PER IS:2540. "M12 X 28" FOR 'D'- ø38
 5. TERMINAL BOX CAN BE ROTATABLE THROUGH 360° IN STEPS OF 90°.
 6. KEY & KEYWAY ARE AS PER IS:2048 & TOLERANCE ON KEYWAY IS P9.

TERMINAL BOX ARRANGEMENT



NOTE: MAX. CABLE SIZE : MAIN-1x3Cx16 sqmm.

SL. NO	FRAME	A	AA	AB	AC	AD	B	BA	BB	C	CA	D	E	F	GA	GD	H	HA	HD	K	L	LA	LB	LC	LD	M	N	P	S	T
1	FBPM 132S	216	40	256	260	180	140	40	180	89	137	38	80	10	41	8	132	17	308	12	442	12	362	526	24	265	230	300	15	4
2	FBPM 132M						178		218												480		400	564						

Z122622100JR

SURFACE ROUGHNESS (MAX) AS PER KSD-02-027
 Ra µm 50 12.5 25 1.6 3.2 6.3 1.0 0.4 0.8 0.025 0.05 0.1
 OLD NEW
 UNMENTIONED
 CHAM: RAD: UC:

1	-	0122209	REDRAWN IN A NEW FORMAT.	Sd/-	10/01/09	QA MARKETING PRODUCTION
REV.	ZONE	DCN.No.	BRIEF RECORD	SIGNATURE	DATE	PRINTS ISSUED TO
8	7	6	5			

THIS SUPERSEDES FROM dt AS PER DCN No.....
 THIS SUPERSEDED BY FROM dt AS PER DCN No.....

MATERIAL SPECIFICATION	RAW MATERIAL SIZE	WEIGHT kg	SCALE	
		RM FIN.	NTS	

CASTING/FAB REF. USED ON: FBPM132

REDRAWN	CHECKED	STANDARD	APPROVED
sd/-	sd/-	sd/-	sd/-
dt:10/01/09	dt:10/01/09	dt:10/01/09	dt:10/01/09

TITLE: DIMENSION SHEET

32262298R1

SHEET ONE OF ONE

KIRLOSKAR ELECTRIC COMPANY LTD. HUBLI-580030 (INDIA)

FORM No. 02 201 02B (ISSUE 7)